

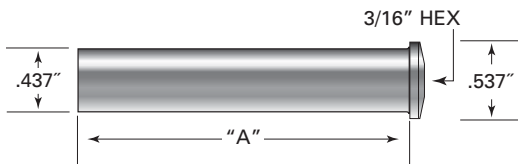
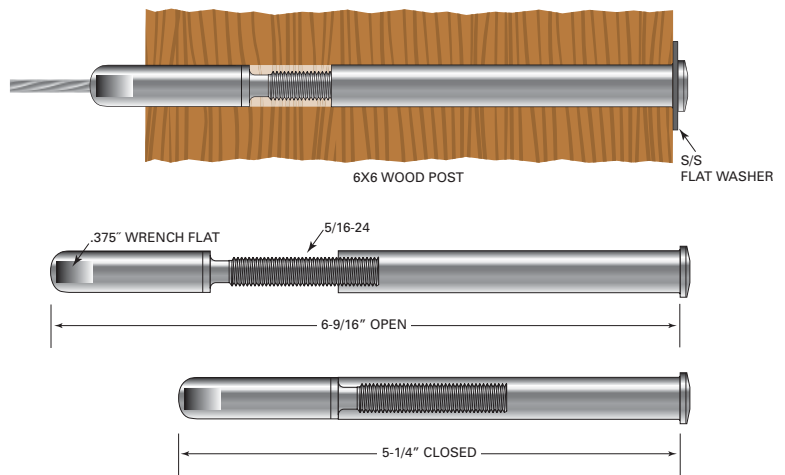
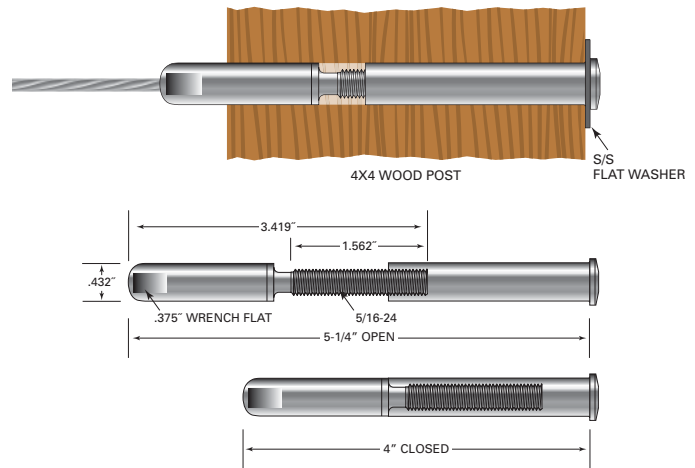
Invisiware® Receiver with Push-Lock® Stud



The Invisiware® Receiver with Push-Lock® Stud combination is an exposed, swageless, tensioning, through-the-post-mounted fitting that is suitable for level runs only, and is available for 1/8" and 3/16" diameter 1x19 stainless steel cable.

The Invisiware® Receiver with Push-Lock® Stud can be used with any fitting on the opposite end of the run. This fitting requires that a minimum of 2-1/2" of clearance exists on the back side of the end post to install the Receiver into the post. We recommend using a stainless steel flat washer between the fitting shoulder and the mating surface of your wood post (washer sold separately, see page 7). The cable attaches to the Push-Lock® Stud fitting via our Push-Lock® locking wedge system which requires no special tools. This fitting was created for applications requiring substantial take-up and a preference for a swageless tensioning fitting.

We do not recommend this fitting being installed in pitched applications because it would require drilling all of the holes in the end post at an angle. While this is possible with special fixtures, if it is not done correctly the end result would be visually unacceptable.



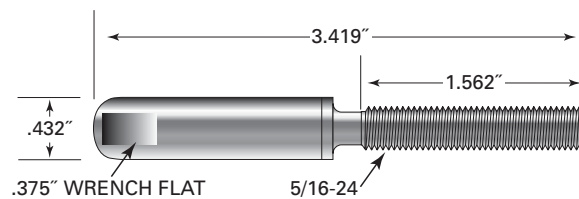
TYPE 316 STAINLESS STEEL

POST SIZE	USE WITH RECEIVER NO.	"A" LENGTH
4"x4"	R-6-42	2.30"
4"x6" or 6"x6"	R-6-62	3.56"

Push-Lock® Stud



The Push-Lock® Stud attaches manually with no special tools required. The cable attaches to the fitting via our Push-Lock® locking wedge system. Push- and Pull-Lock® fittings are made entirely of stainless steel components, most of them Type 316.



CABLE DIA.	PART NO.
1/8"	PLST-4
3/16"	PLST-6